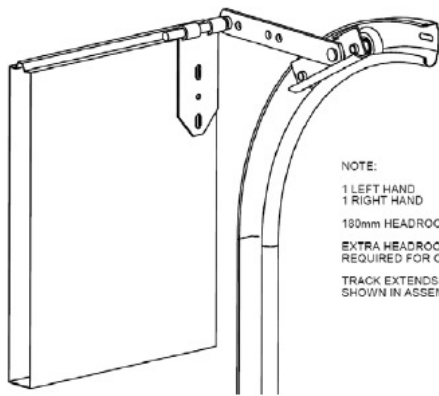


# Low Headroom Hardware



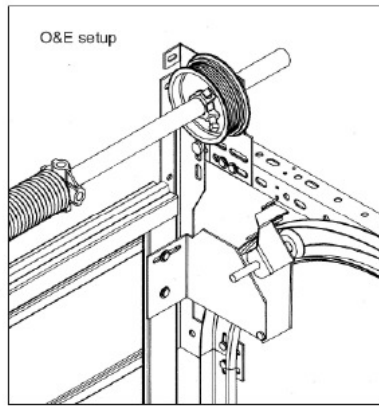
**Easy Fit Low Headroom Bracket (Fig 11.1)**



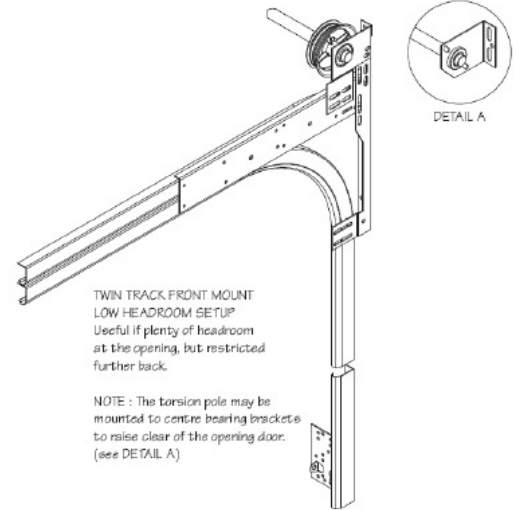
NOTE:  
1 LEFT HAND  
1 RIGHT HAND  
100mm HEADROOM REQUIRED  
EXTRA HEADROOM MAY BE REQUIRED FOR OPENER  
TRACK EXTENDS BEYOND THAT SHOWN IN ASSEMBLY

**O & E (Fig 11.2)**

O&E setup only. Better if door is heavy at bottom. e.g. if two springs, take 1/2 turn off 1 spring. Always ensure that cables are taut when door is open.



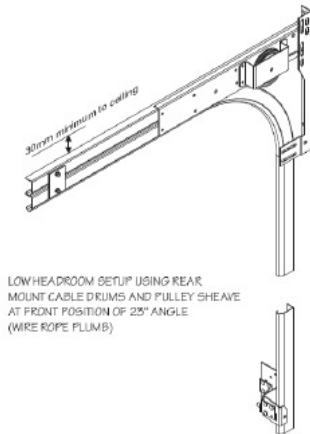
**Double Track Front Mount (Fig 11.3)**



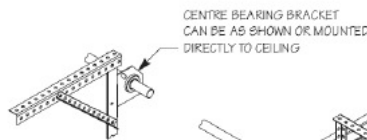
TWIN TRACK FRONT MOUNT LOW HEADROOM SETUP  
Useful if plenty of headroom at the opening, but restricted further back.

NOTE: The torsion pole may be mounted to centre bearing brackets to raise clear of the opening door. (see DETAIL A)

**Double Track Rear Mount (Fig 11.4)**

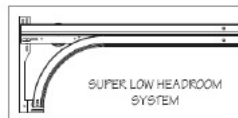


LOW HEADROOM SETUP USING REAR MOUNT CABLE DRUMS AND PULLEY SHEAVE AT FRONT POSITION OF 23° ANGLE (WIRE ROPE PLUMB)

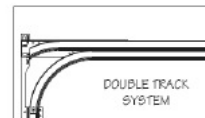


CENTRE BEARING BRACKET CAN BE AS SHOWN OR MOUNTED DIRECTLY TO CEILING

LOW HEADROOM SETUP USING REAR MOUNT CABLE DRUMS AND PULLEY SHEAVE AT BACK POSITION OF 23° ANGLE



(Fig 11.5)



0800 ASHTONS (274 866)  
[www.ashtondoors.co.nz](http://www.ashtondoors.co.nz)